

2-YEAR WARRANTY

COMPLIANT WITH STANDARD NF E85-200

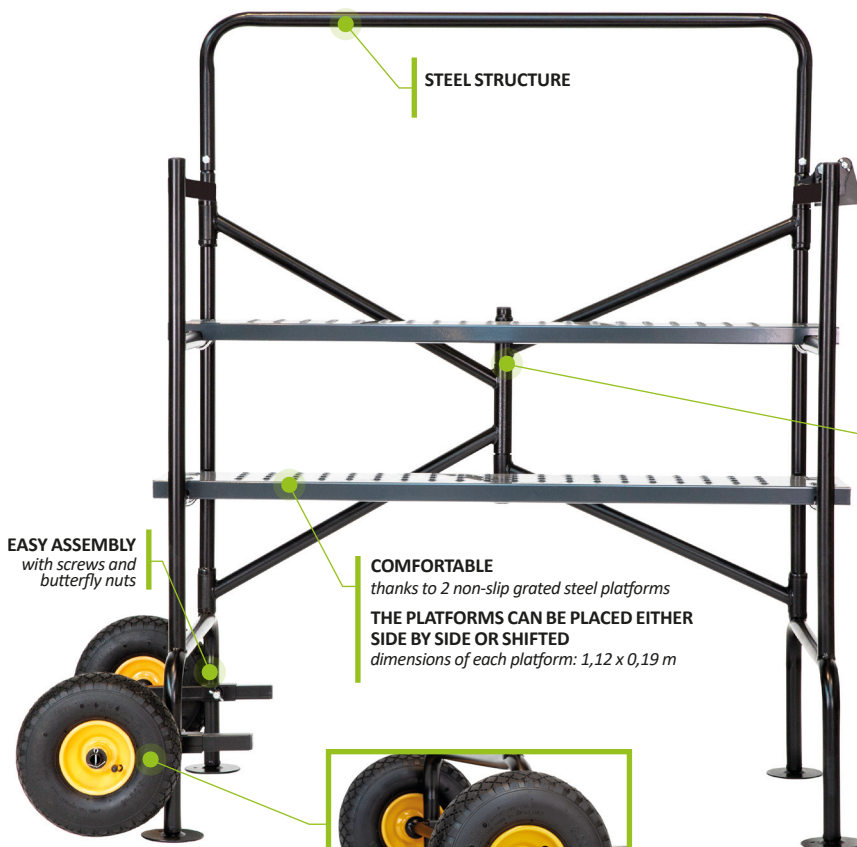
SCAFFOLDS



NEW

GARDEN STEEL // MAXIMUM WORKING HEIGHT : 2,80 M

IDEAL FOR HEDGE CUTTING



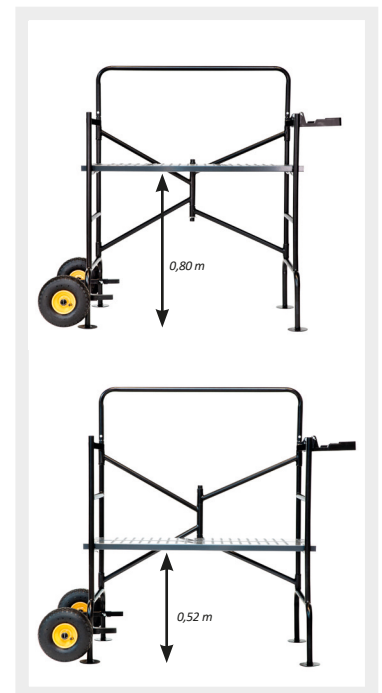
ROTATING TOOL TRAY



COMPACT folding by the middle : easy transport and storage

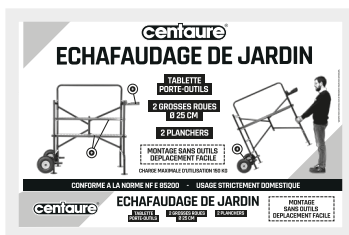


EASY MOVING thanks to 2 big heavy duty inflatable wheels, Ø 240 mm.



2 PLATFORM HEIGHTS

CLASSIK'



MAXIMUM LOADING CAPACITY 150 KG.

Delivered in a cardboard

Material for domestic use

Item code	Barcode	Height (m)	Working Height (m)	Dimensions (L x w x T) (m)	Dimensions (L x w x T) (m)	Weight (kg)
457700	3 172965 102062	0.80	2.80	1.40 x 0.78 x 1.35	1.16 x 0.65 x 0.13	24.00